

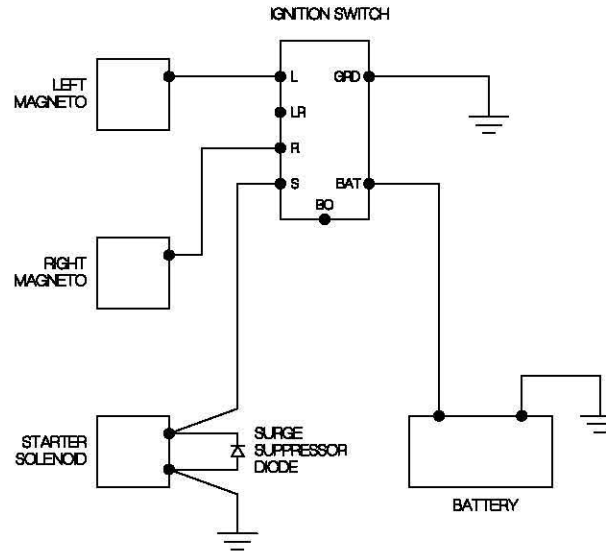
1. Connect wire from RIGHT MAG to terminal 1.
2. Connect wire from LEFT MAG to terminal 2.
3. Connect wire from POSITIVE terminal of power supply to terminal 3.
4. Connect wire from STARTER SOLENOID to terminal 4.
5. Connect wire from terminal 5 (center GND terminal) to nearest structural member.

NOTES:

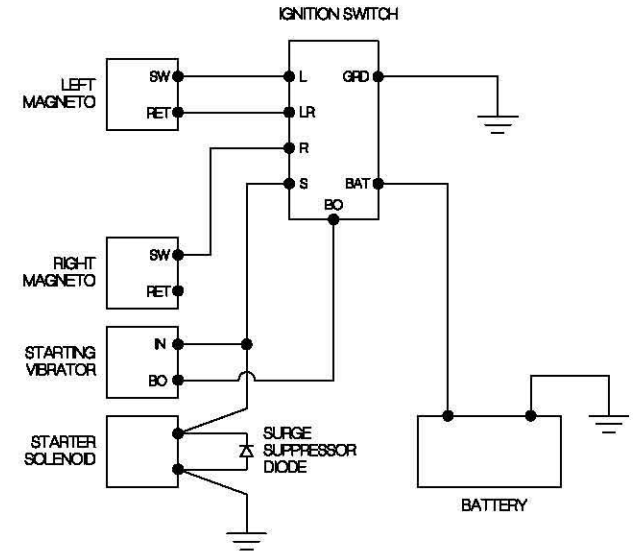
- A. Use JUMPER on terminal 1 when LEFT MAG has IMPULSE COUPLING.
- B. Use JUMPER on terminal 1 & use the "LR" and "BO" terminals for a 2-terminal starting vibrator when LEFT MAG is RETARD BREAKER MAGNETO.
- C. Use SHIELDED wire on all connections and ground shielding to nearest structural member.

ACS-510 Rev. C (5/10/01)

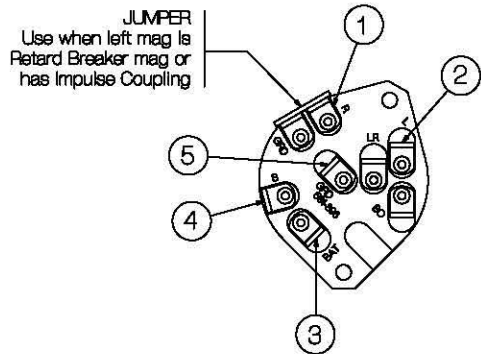
INSTALLATION OF ACS A-510-2 IGNITION SWITCH



WIRING DIAGRAM FOR IGNITION SWITCH WITH START POSITION



WIRING DIAGRAM FOR IGNITION SWITCH WITH START POSITION & 2-TERMINAL STARTING VIBRATOR



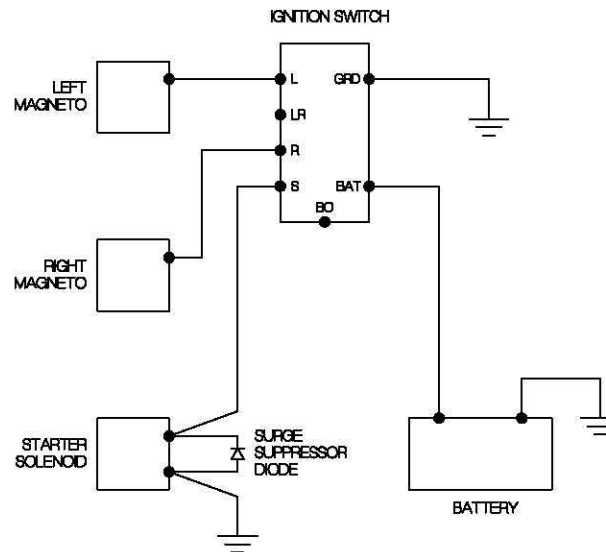
1. Connect wire from RIGHT MAG to terminal 1.
2. Connect wire from LEFT MAG to terminal 2.
3. Connect wire from POSITIVE terminal of power supply to terminal 3.
4. Connect wire from STARTER SOLENOID to terminal 4.
5. Connect wire from terminal 5 (center GND terminal) to nearest structural member.

NOTES:

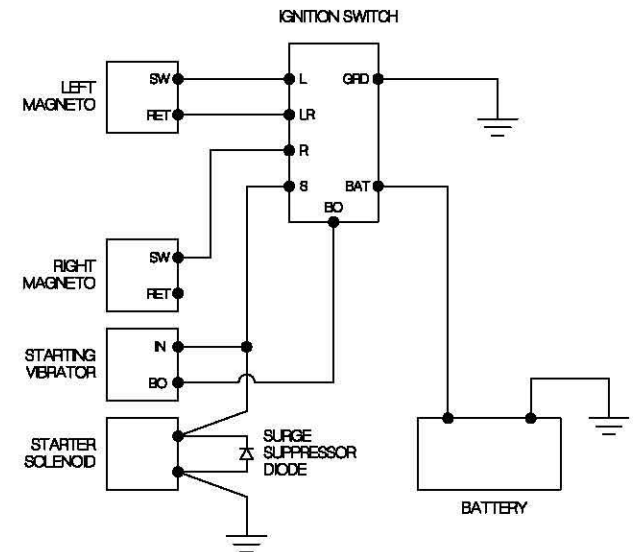
- A. Use JUMPER on terminal 1 when LEFT MAG has IMPULSE COUPLING.
- B. Use JUMPER on terminal 1 & use the "LR" and "BO" terminals for a 2-terminal starting vibrator when LEFT MAG is RETARD BREAKER MAGNETO.
- C. Use SHIELDED wire on all connections and ground shielding to nearest structural member.

ACS-510 Rev. C (5/10/01)

INSTALLATION OF ACS A-510-2 IGNITION SWITCH



WIRING DIAGRAM FOR IGNITION SWITCH WITH START POSITION



WIRING DIAGRAM FOR IGNITION SWITCH WITH START POSITION & 2-TERMINAL STARTING VIBRATOR